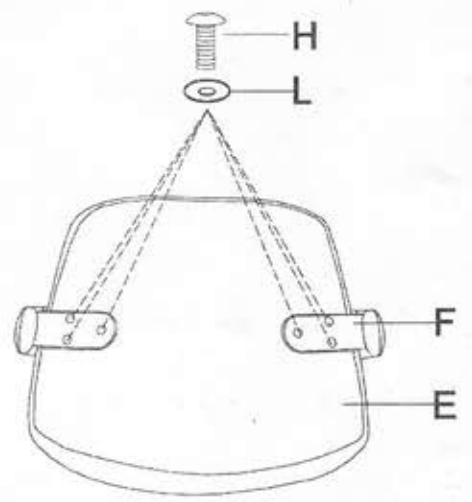
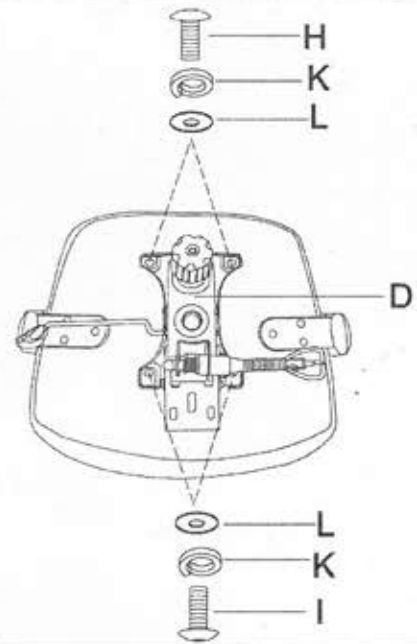


**SANDER**

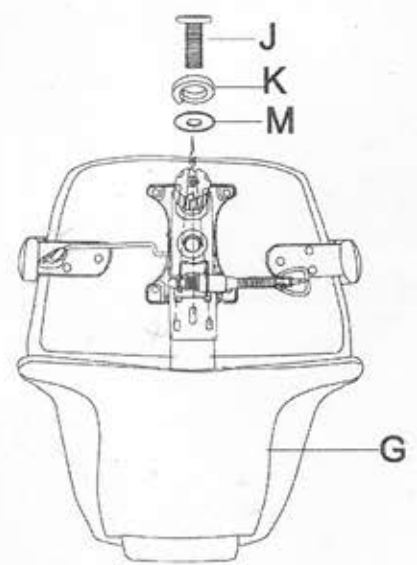
1.



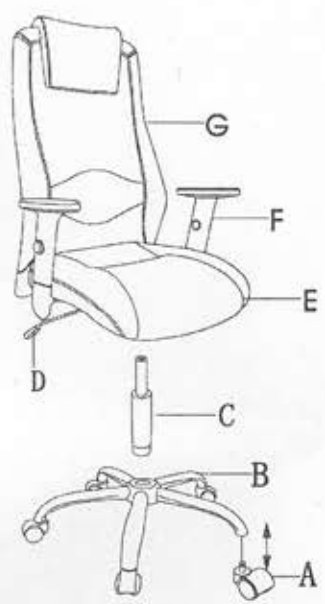
2.

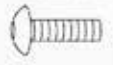








3.



4.



- |  |  |  |
|--|--|--|
| <b>H</b>  | <b>I</b>  | <b>J</b>  |
| M6*25MM/8PCS   | M6*20MM/2PCS   | M8*18MM/3PCS   |
| <b>K</b>  | <b>L</b>  | <b>M</b>  |
| M8/7PCS  | Φ6*18*1MM/10PCS  | Φ8*22*1.5MM/3PCS   |
| <b>N</b>  |  |  |
| M5/1PC   |  |  |